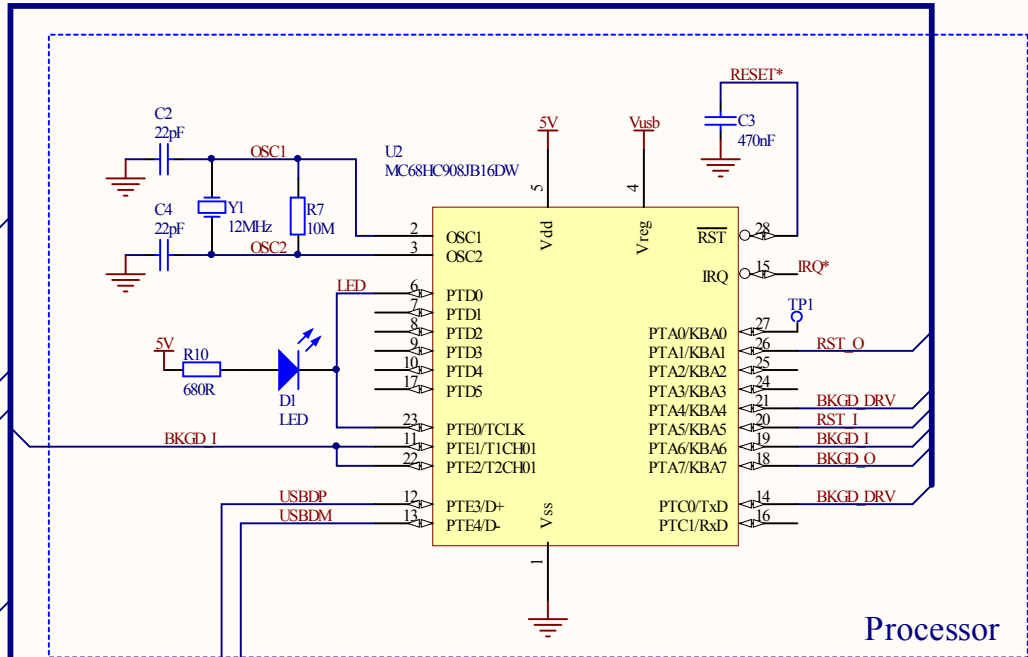
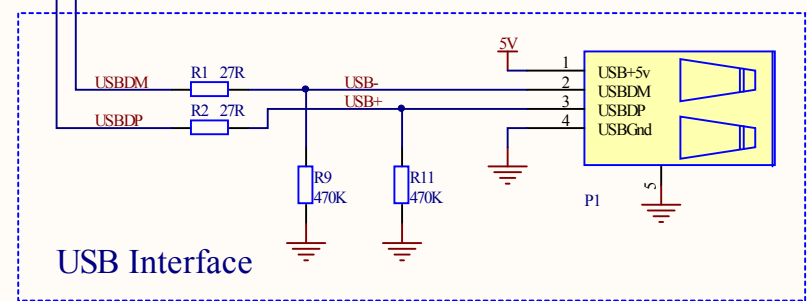


BDM Interface

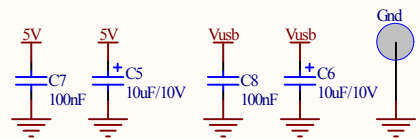


Processor



USB Interface

Notes:  
 \* Z1 is a protection device and may be omitted.  
 Revision 1.6  
 \* Added TP1, PUP on BDM\_RST  
 \* Layout re-done  
 \* PNs added

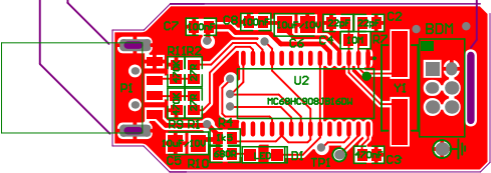


|   |           |              |
|---|-----------|--------------|
| Title TBDM_L_SOIC28_JB16(Minimal)         |           |              |
| Size A4                                   | Number    | Revision 1.6 |
| Date: 28/10/2009                          | Sheet of  |              |
| File: F:\USBDM.ATBDM_L_JB16_SOIC28.SchDoc | Drawn By: |              |

1mm plated slot

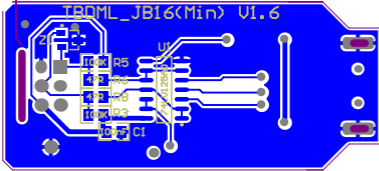
TBDML\_JB16\_SOIC28.PcbDoc

1mm slot



Board Outline this layer

Board Outline this layer



1mm plated slot

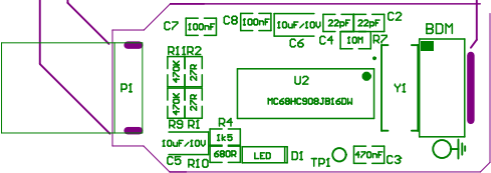
TBDML\_JB16\_201C58.PcbDoc

1mm slot

Imm plated slot

TBDML\_JB16\_SOIC28.PcbDoc

Imm slot



Board Outline this layer

Board Outline this layer

TBDML\_JB16(Min) U1.6

Z1

100K R5

47R R6

47R R8

100K R3

100nF C1

U1

74LV125AD

TBDML\_JB16\_201C58.PcbDoc

mm plated slot

mm slot



# Bill of Materials

TBDML\_SOIC28\_JB16(Minimal)

Source Data From: TBDML\_JB16\_SOIC28[Minimal].PrjPCB  
 Project: TBDML\_JB16\_SOIC28[Minimal].PrjPCB  
 Variant: None

Creation Date: 28/10/2009 5:59:38 PM  
 Print Date: 28-Oct-09 5:59:40 PM

| Footprint              | Comment         | Farnell PN | Digikey       | Designator | Description                          | Quantity |
|------------------------|-----------------|------------|---------------|------------|--------------------------------------|----------|
| CCNP2012-0805          | 100nF           | 8820120    |               | C1, C7, C8 | Capacitor SMT                        | 3        |
| CCNP2012-0805          | 22pF            | 1414676    |               | C2, C4     | Capacitor SMT                        | 2        |
| CCNP2012-0805          | 470nF           | 1288279    |               | C3         | Capacitor SMT                        | 1        |
| TC3528-1411            | 10uF/10V        | 9527745    |               | C5, C6     | Capacitor Polarized (SMT - Case A)   | 2        |
| LED-SMT- Altronic 1206 | LED             | 5790852    |               | D1         | LED                                  | 1        |
| USB_TypeA M - SMT2     | USB_CONNECTOR   | 1308875    |               | P1         | USB Connector                        | 1        |
| HDR2X3                 | Transition 3x2  | 1188909    |               | P2         | 2x3 Transition or male header        | 1        |
| CR2012-0805            | 27R             | 9334246    |               | R1, R2     | Resistor SMT                         | 2        |
| CR2012-0805            | 100K            | 9332405    |               | R3, R5     | Resistor SMT                         | 2        |
| CR2012-0805            | 1k5             | 1632464    |               | R4         | Resistor SMT                         | 1        |
| CR2012-0805            | 47R             | 1632490    |               | R6, R8     | Resistor SMT                         | 2        |
| CR2012-0805            | 10M             | 9236392    |               | R7         | Resistor SMT                         | 1        |
| CR2012-0805            | 470K            | 9333282    |               | R9, R11    | Resistor SMT                         | 2        |
| CR2012-0805            | 680R            | 9334785    |               | R10        | Resistor SMT                         | 1        |
| SO-14_L                | 74LV125AD       | 9592504    | 296-1674-5-ND | U1         | Quad 3-state Buffer                  | 1        |
| 751F-03_N              | MC68HC908JB16DW | 1148430    |               | U2         | 8-Bit Microcontroller                | 1        |
| XTAL_SMT               | 12MHz           | 1652551    |               | Y1         | Crystal (Low profile SMT)            | 1        |
| SOT23                  | PESD5V0S2UAT    | 8737738    |               | Z1         | Dual Unipolar Protection Device (5V) | 1        |
|                        |                 |            |               |            |                                      | 26       |

| Approved | Notes |
|----------|-------|
|          |       |