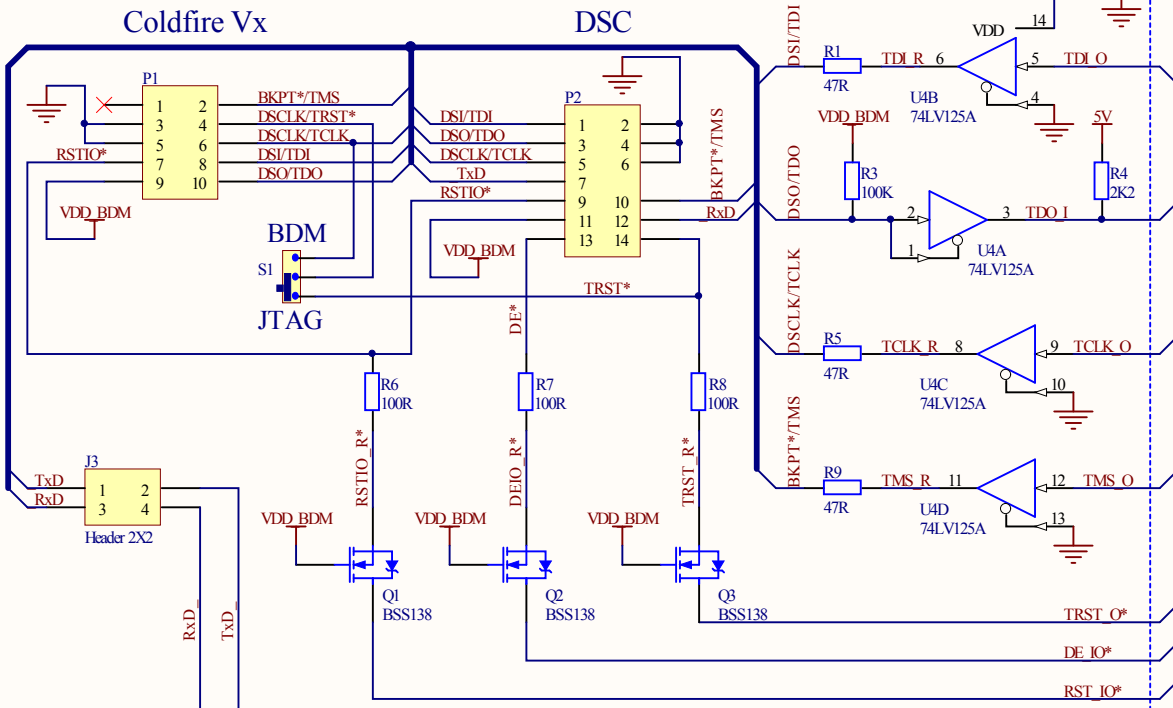
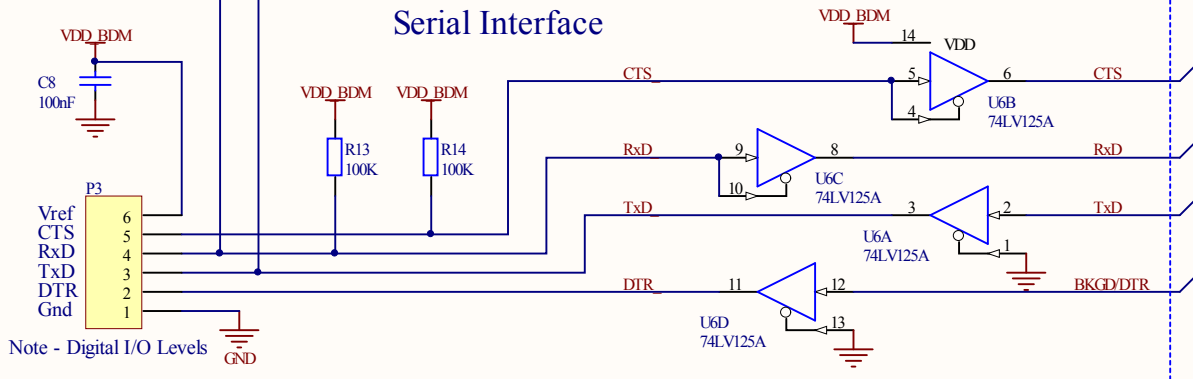


Revision:  
 - 1.1 1st Release  
 - 2.0 Added Serial port & complete redo of PCB

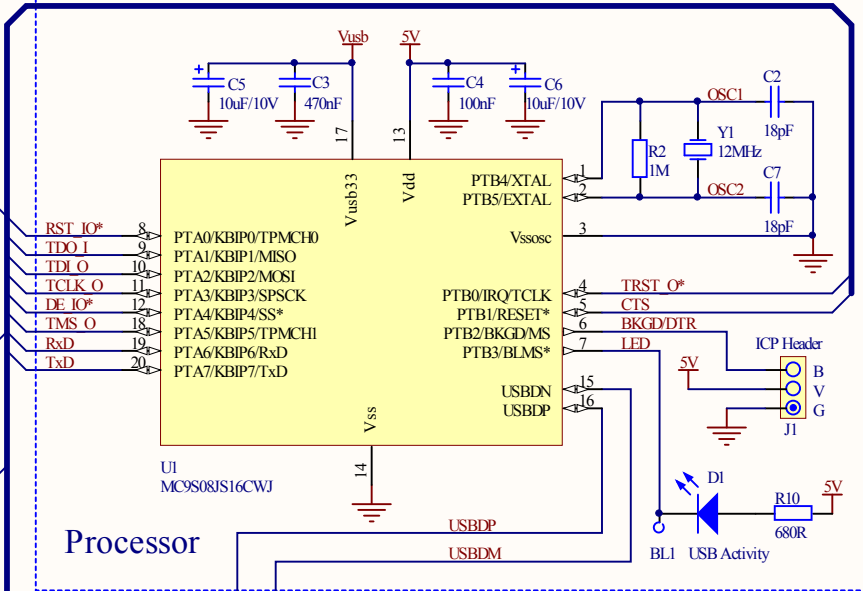
### BDM Interfaces



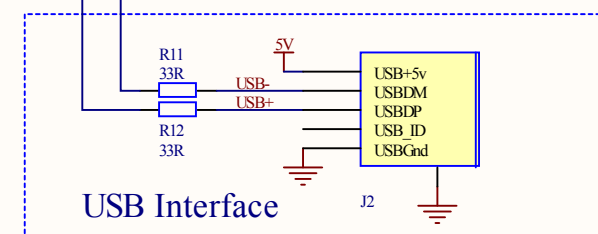
### Serial Interface



Note - Digital I/O Levels



### Processor



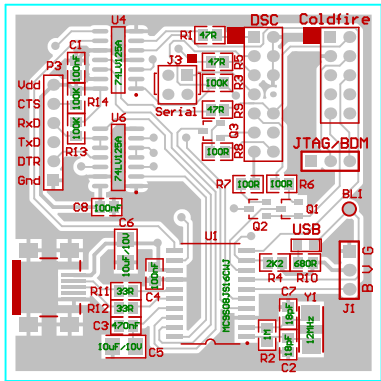
Notes:  
 BL1 - Tie to ground to force ROM Boot Loader Mode. Only for initial program load.  
 J1 - ICP Header - BDM interface used for debugging firmware. May be omitted.  
 S1 - BDM/JTAG - Coldfire BDM (debug) / Coldfire JTAG (unsecure)  
 Currently DE\* & TRST\* are unused so associated components may be omitted.  
 J3 - Link to connect Rx/D/TxD to spare pins on DSC header

This version only supports MC56F800xx and Coldfire V2-3 devices.  
 It does not support RS08, HCS08, HCS12 or Coldfire V1.  
 It does not supply target power.

Title			USBDM_CF_SER_JS16CWJ.SchDoc		
Size	A4	Number		Revision	2.0
Date:	20/10/2010	Sheet of			
File:	C:\Peter\USBDM_CF_SER_JS16CWJ.SchDoc Drawn By:				

Board Outline this layer

50.00

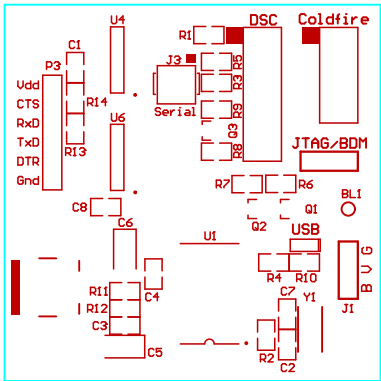


50.00

USBDM\_CF\_SER\_JS16CJ.J\_PcbDoc

# Board Outline this layer

50.00



50.00

# Bill of Materials

USBDM\_CF\_SER\_JS16CWJ

Source Data From:	USBDM_CF_SER_JS16CWJ.PRJPCB
Project:	USBDM_CF_SER_JS16CWJ.PRJPCB
Variant:	None

Creation Date:	20/10/2010	6:07:18 PM
Print Date:	20-Oct-10	6:07:29 PM

Footprint	Comment	Farnell PN	Digikey	Designator	Description	Quantity
CCNP2012-0805	100nF	8820120		C1, C4, C8	Capacitor SMT	3
CCNP2012-0805	18pF	1414673		C2, C7	Capacitor SMT	2
CCNP2012-0805	470nF	1288279		C3	Capacitor SMT	1
TC3528-1411	10uF/10V	9527745		C5, C6	Capacitor Polarized (SMT - Case A)	2
LED-SMT-2	LED Green	5790852		D1	LED (Green SMT)	1
USB_Mini - SMT2	USB_MINI_CONNECTOR	1363522		J2	USB Mini-B Connector	1
HDR2X2	Header 2X2			J3	Header, 2-Pin, Dual row	1
HDR2X5	Header 5X2	8395918		P1	Header, 5-Pin, Dual row	1
HDR2X7	Header 7X2	3816266		P2	Header, 7-Pin, Dual row	1
HDR1X6	Header 6			P3	Header, 6-Pin	1
SOT23-1	BSS138	1467960		Q1, Q2, Q3	N-Channel Enhancement Mode Vertical DMOS FET	3
CR2012-0805	47R	1653007		R1, R5, R9	Resistor	3
CR2012-0805	1M	9236392		R2	Resistor SMT	1
CR2012-0805	100K	1469862, 1652905		R3, R13, R14	Resistor	3
CR2012-0805	2K2	9334149		R4	Resistor	1
CR2012-0805	100R	1469862		R6, R7, R8	Resistor	3
CR2012-0805	680R	9334785		R10	Resistor SMT	1
CR2012-0805	33R	1631399		R11, R12	Resistor SMT	2
PIN1X3	SW-PCB-MIN			S1	Small PCB switch	1
SO-G20	MC9S08JS16CWJ	1704517		U1	Microcontroller with USB	1
751A-03_N	74LV125A	9592504		U4, U6	Quad 3-State Non-Inverting Buffer (F1013776)	2
XTAL_SMT - 5x3.2	12MHz	F1368769		Y1	Crystal (Low profile SMT)	1
						36

Approved	Notes
----------	-------